

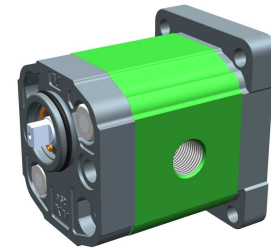
entrainment pump - series XV

X1T

"HY" DRIVING PUMP
 ø32 BODY-SHAPED FLANGE - MILLED SHANK

X 1 T 25 52 D B B A

Series	X	series XV
Group	1	group 1
Category	T	entrainment pump
Displacement	25	3.8
Flange	52	Ø32 HY right rotation
Shaft	D	CFP02 - Milled shank ø10 - thk.5
Body	IN	inlet - 3/8" GAS
	OUT	outlet - 3/8" GAS
Cover	A	ø25,5 female cover for left multiple pump element



X1I-1
 X1F-1
 X0I-1
 X0I-1

XT140

Technical data table

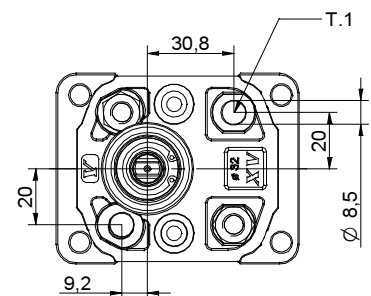
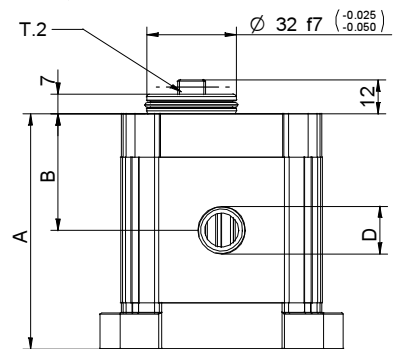
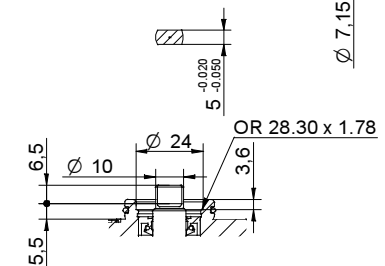
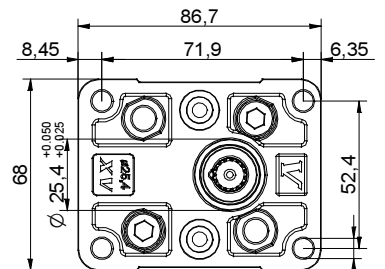
TYPE	Displacement cm3/rev	Max. Pressure		CODE	
		P1 bar	P3 bar	Left rotation	Right rotation
X1T/0.9	0,91	240	280	X 1 T 16 51 D B B A	X 1 T 16 52 D B B A
X1T/1.2	1,17	250	290	X 1 T 17 51 D B B A	X 1 T 17 52 D B B A
X1T/1.7	1,56	250	290	X 1 T 18 51 D B B A	X 1 T 18 52 D B B A
X1T/2.2	2,08	250	290	X 1 T 20 51 D B B A	X 1 T 20 52 D B B A
X1T/2.6	2,60	250	300	X 1 T 21 51 D B B A	X 1 T 21 52 D B B A
X1T/3.2	3,12	250	300	X 1 T 23 51 D B B A	X 1 T 23 52 D B B A
X1T/3.8	3,64	250	300	X 1 T 25 51 D B B A	X 1 T 25 52 D B B A
X1T/4.3	4,16	250	300	X 1 T 27 51 D B B A	X 1 T 27 52 D B B A
X1T/4.9	4,94	250	300	X 1 T 29 51 D B B A	X 1 T 29 52 D B B A
X1T/5.9	5,85	250	300	X 1 T 31 51 D B B A	X 1 T 31 52 D B B A
X1T/6.5	6,50	250	300	X 1 T 32 51 D B B A	X 1 T 32 52 D B B A
X1T/7.8	7,54	220	260	X 1 T 34 51 D B B A	X 1 T 34 52 D B B A
X1T/9.8	9,88	190	230	X 1 T 36 51 D B B A	X 1 T 36 52 D B B A

P1) Max. working pressure - P3) Max. peak pressure

For heavy-duty applications, it is recommended to check the admissible torque of the shaft

Dimensions table

TYPE	Weight kg	A	B	D	D
		mm	mm	IN	OUT
X1T/0.9	0,950	73,5	36,3	3/8" BSPP	3/8" BSPP
X1T/1.2	0,970	74,5	36,8	3/8" BSPP	3/8" BSPP
X1T/1.7	1,010	76,0	37,5	3/8" BSPP	3/8" BSPP
X1T/2.2	1,030	78,0	38,5	3/8" BSPP	3/8" BSPP
X1T/2.6	1,060	80,0	39,5	3/8" BSPP	3/8" BSPP
X1T/3.2	1,090	82,0	40,5	3/8" BSPP	3/8" BSPP
X1T/3.8	1,120	84,0	41,5	3/8" BSPP	3/8" BSPP
X1T/4.3	1,170	86,0	42,5	3/8" BSPP	3/8" BSPP
X1T/4.9	1,200	89,0	44,0	3/8" BSPP	3/8" BSPP
X1T/5.9	1,260	92,5	45,8	3/8" BSPP	3/8" BSPP
X1T/6.5	1,300	95,0	47,0	3/8" BSPP	3/8" BSPP
X1T/7.8	1,360	99,0	49,0	3/8" BSPP	3/8" BSPP
X1T/9.8	1,500	108,0	53,5	3/8" BSPP	3/8" BSPP



010A/08 XT125520BBA.dft

T.1 = 24.5÷29.4 [Nm] - screw tightening torque M8

T.2 = 13.8 [Nm] - admissible shaft torque (N.B. When choosing a shaft, always check the admissible torque).

Table of variations

X1T

ø32 "HY" Body-Shaped FLANGE

ø32 "HY" Body-Shaped FLANGE				Shaft				Cover		
Left rotation		Right rotation						Left rotation	Right rotation	
	51		52	CFP02 - Milled shank T.2 = 13.8 [Nm] 	D	COP01 - Tapered T.2 = 43.1 [Nm] 	F			A
	53		54	SCF02 - Splined T.2 = 42.8 [Nm] m=0,75 Z=15 	L	SCP04 - Splined T.2 = 22.6 [Nm] m=1,6 Z=6 DIN 5482 - 12x9 	J			D
	55		56	SCF01 - Splined T.2 = 42.8 [Nm] m=0,75 Z=15 	Q	SCF03 - Splined T.2 = 42.8 [Nm] m=0,75 Z=15 	R			
	57		58							

Displacement	
TYPE	CODE
X1T/0.9	16
X1T/1.2	17
X1T/1.7	18
X1T/2.2	20
X1T/2.6	21
X1T/3.2	23
X1T/3.8	25
X1T/4.3	27
X1T/4.9	29
X1T/5.9	31
X1T/6.5	32
X1T/7.8	34
X1T/9.8	36

Standard bodies							
Displacement cm3/rev	Standard threads						
	0.9	I - I	B - B	J - J	B - Z	Z - Z	G - F
1.2	I - I	B - B	J - J	B - Z	Z - Z	G - F	
1.7	I - I	B - B	J - J	B - Z	Z - Z	G - F	
2.2	I - I	B - B	J - J	B - Z	Z - Z	G - F	
2.6	I - I	B - B	J - J	B - Z	Z - Z	G - F	
3.2	I - I	B - B	J - J	B - Z	Z - Z	G - F	
3.8	I - I	B - B	J - J	B - Z	Z - Z	G - F	
4.3	I - I	B - B	J - J	B - Z	Z - Z	G - F	
4.9	I - I	B - B	J - J	B - Z	Z - Z	G - F	
5.9	I - I	B - B	J - J	B - Z	Z - Z	G - F	
6.5	I - I	B - B	J - J	B - Z	Z - Z	G - F	
7.8	I - I	B - B	J - J	B - Z	Z - Z	G - F	
9.8	I - I	B - B	J - J	B - Z	Z - Z	G - F	

Table showing standard flange and thread combinations available in stock

Body (threads/flanges)													
	A		B		C		D		E		F		G
	H		I		J	Closed Body	Z						