

# WATER / OIL BRAZED PLATE OIL COOLER

HEAT EXCHANGERS

HEAT-EXCHANGERS

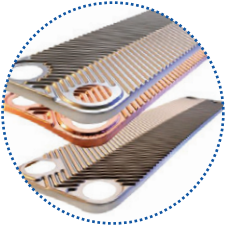
WB SERIES





## Brazed Plate Technology

Stainless steel brazed plate construction is one of the most advanced fluid cooling technologies available. This design has several significant features:



Copper Brazed  
Stainless Steel Plates

SAE O-Ring Oil Connections

### Technical Data

#### Compatible Fluids

- Mineral Oils: HL & HLP
- Water – Oil Emulsion
- Water – Glycol
- Consult factory for other fluids

#### Ratings

- Operating Pressure: 435 PSI
- Max Operating Temperature: 435°F

#### Materials

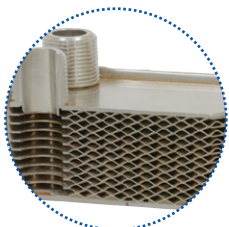
- Plates & Connections:  
AISI 316L Stainless Steel
- Brazing Sheets:  
Copper
- Mounting Brackets:  
Powder Painted Steel

Studs May Be Used  
for Mounting Without  
Foot Bracket

Internal NPT Water Connections

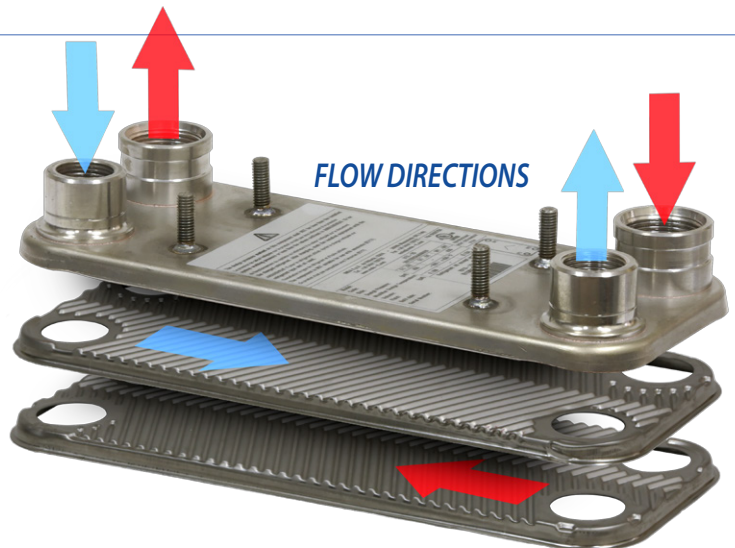
Mounting Foot  
For Ease of Installation

**Corrosion Resistant:** Stainless steel plates and fittings provide long service life.



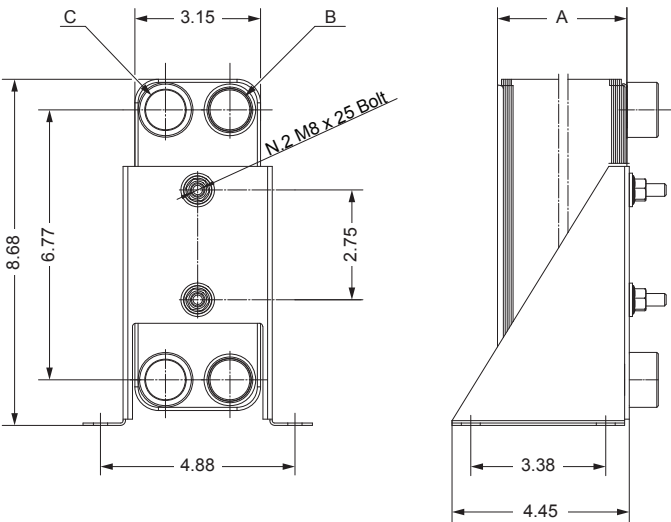
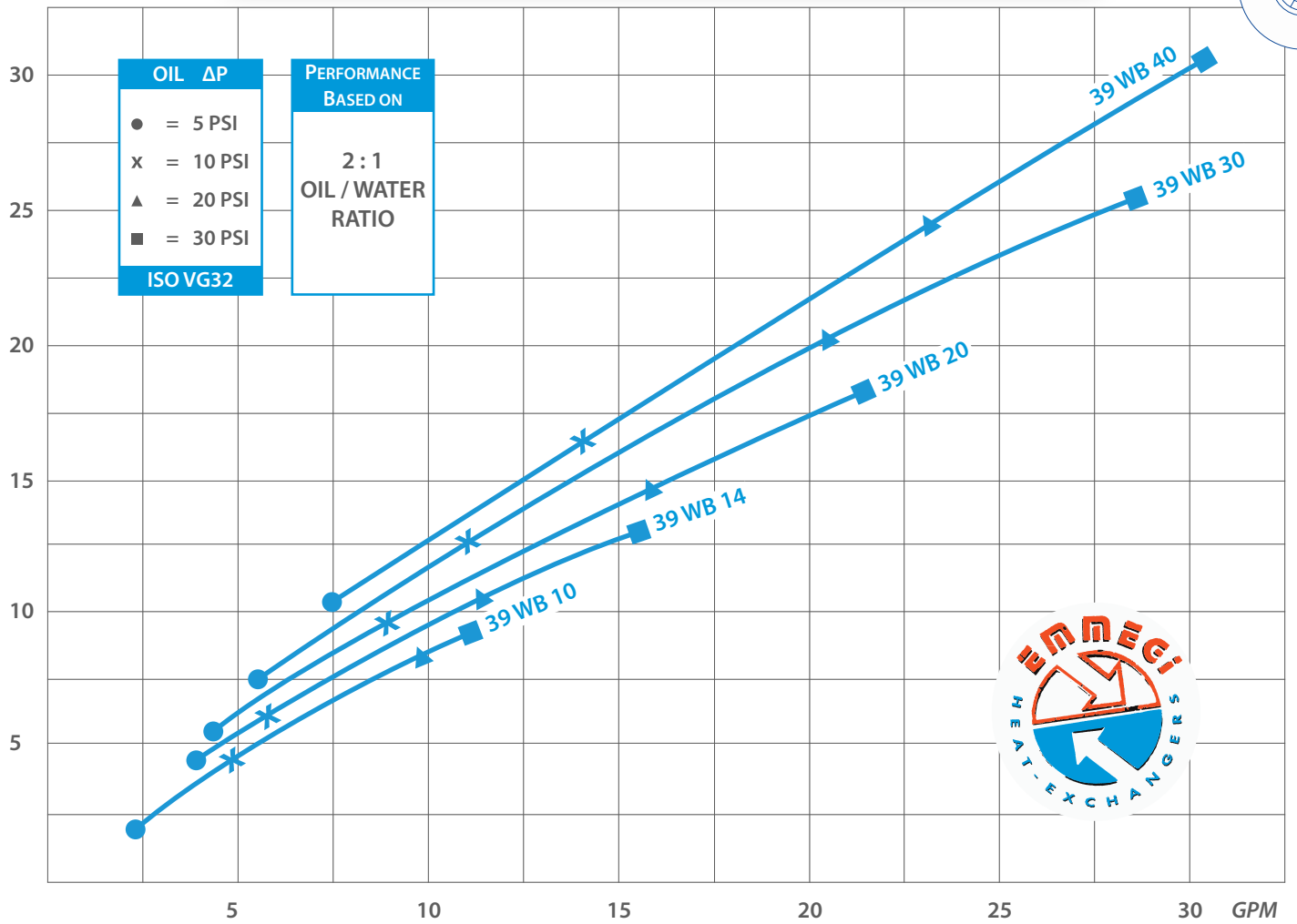
Cutaway shows high density,  
compact brazed plate  
construction

**Compact Performance:** Up to 50% smaller in size than traditional shell & tube construction.



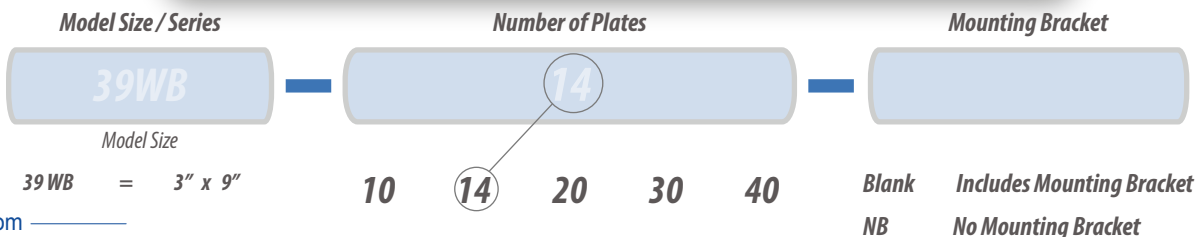
# 39 WB Series - Dimensions & Performance

Horsepower Heat Rejection @ 50°F ETD



MODEL	A (inch)	OIL CONNECTIONS		NET WEIGHT LBS.
		B OIL	C WATER	
39 WB 10	1.32	# 10 SAE	1/2" NPT	2.4
39 WB 14	1.70			3.0
39 WB 20	2.28	# 12 SAE	3/4" NPT	3.8
39 WB 30	3.25			5.1
39 WB 40	4.21			6.4

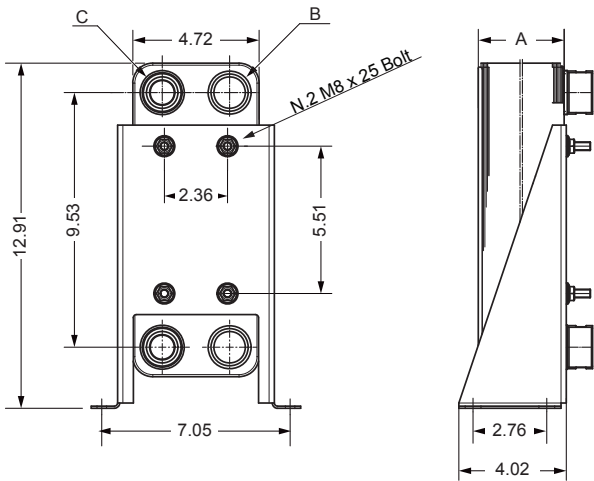
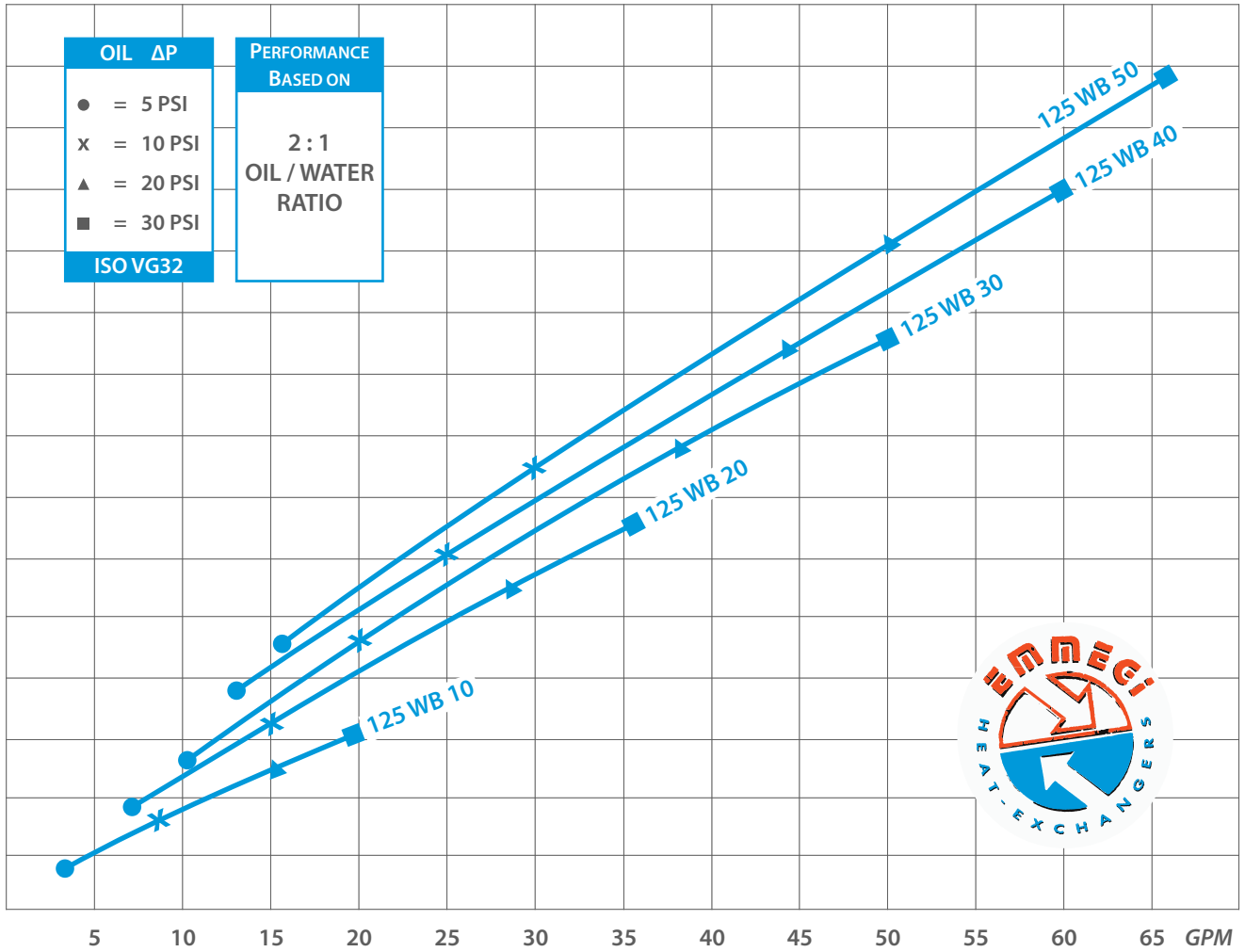
## Ordering Code



HEAT-EXCHANGERS

# 125 WB Series - Dimensions & Performance

Horsepower Heat Rejection @ 50°F ETD



MODEL	A (inch)	OIL CONNECTIONS		NET WEIGHT LBS.
		B OIL	C WATER	
125 WB 10	1.28	# 16 SAE	3/4" NPT	6.2
125 WB 20	2.24			8.7
125 WB 30	3.21			11.2
125 WB 40	4.17	# 20 SAE	1" NPT	13.6
125 WB 50	5.12			16.1

## Ordering Code

Model Size / Series: **125WB** (Model Size: 125 WB = 12" x 5")

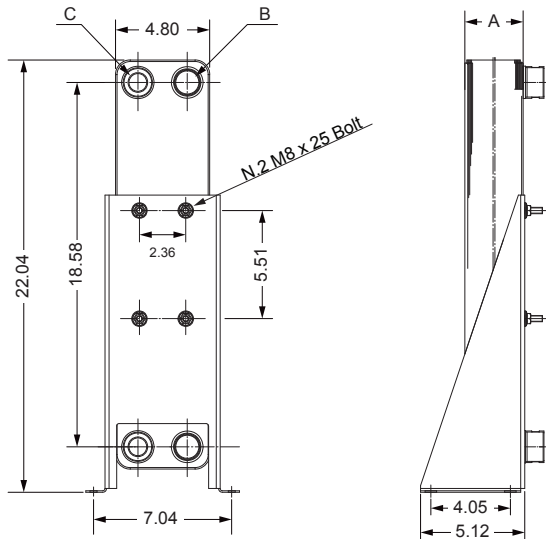
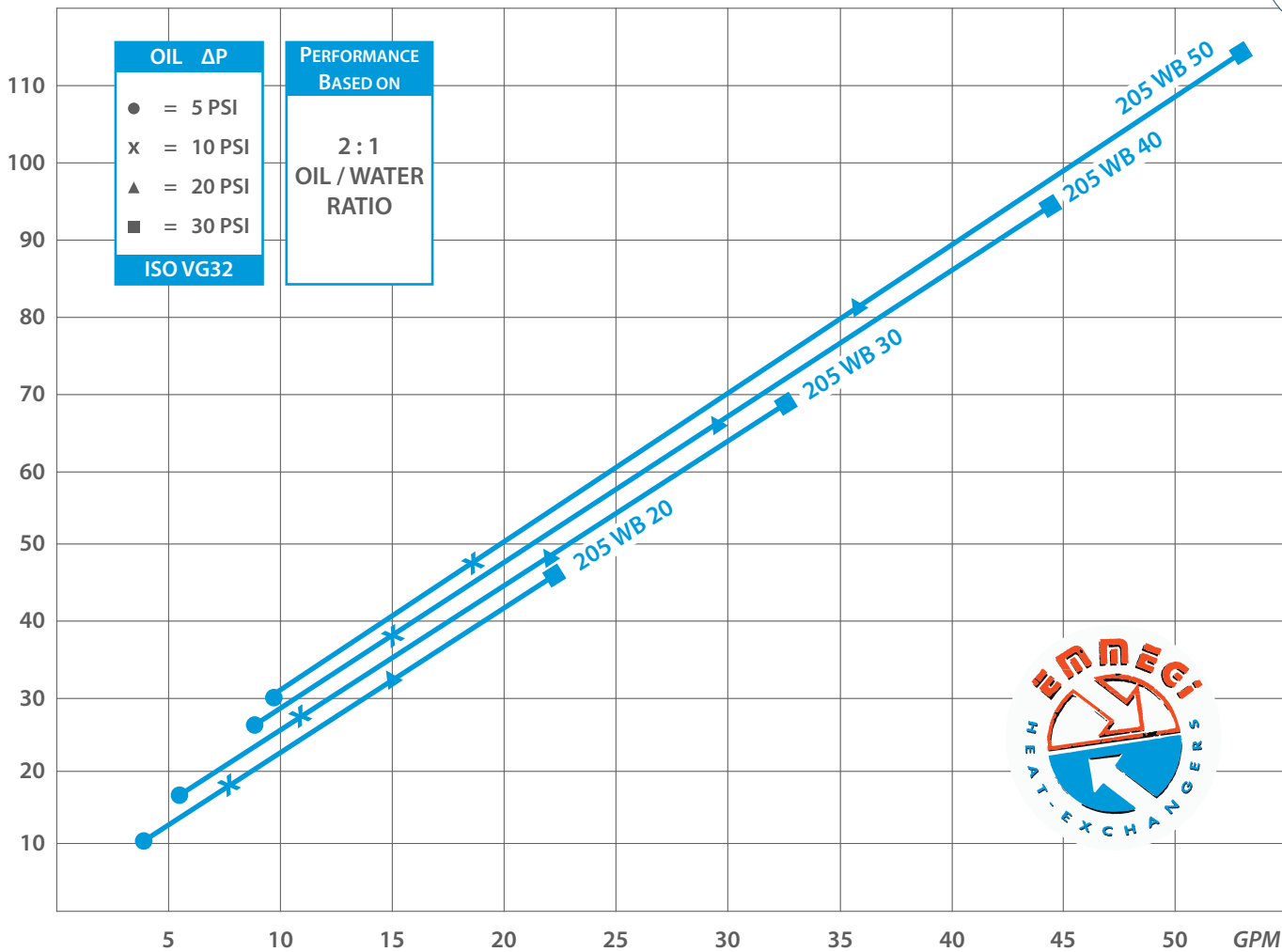
Number of Plates: **20** (Options: 10, 20, 30, 40, 50)

Mounting Bracket: **Blank** (Includes Mounting Bracket) or **NB** (No Mounting Bracket)

# 205 WB Series - Dimensions & Performance



Horsepower Heat Rejection @ 50°F ETD



MODEL	A (inch)	OIL CONNECTIONS		NET WEIGHT LBS.
		B OIL	C WATER	
205 WB 20	2.09	# 16 SAE	3/4" NPT	14.6
205 WB 30	2.97	# 16 SAE	3/4" NPT	19.1
205 WB 40	3.86	# 20 SAE	1" NPT	23.7
205 WB 50	4.74	# 20 SAE	1" NPT	28.2

HEAT-EXCHANGERS

## Ordering Code

**Model Size / Series**      **Number of Plates**      **Mounting Bracket**

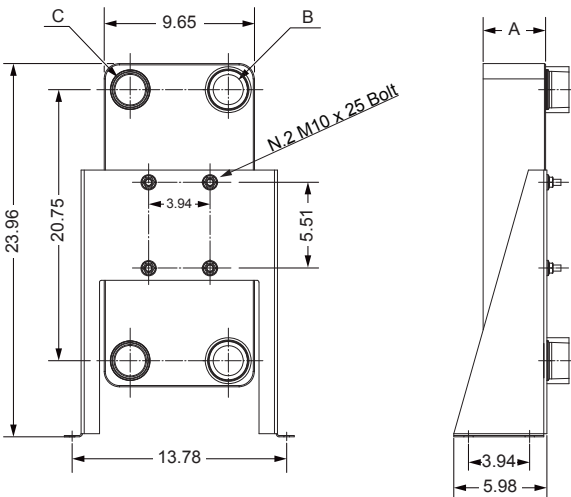
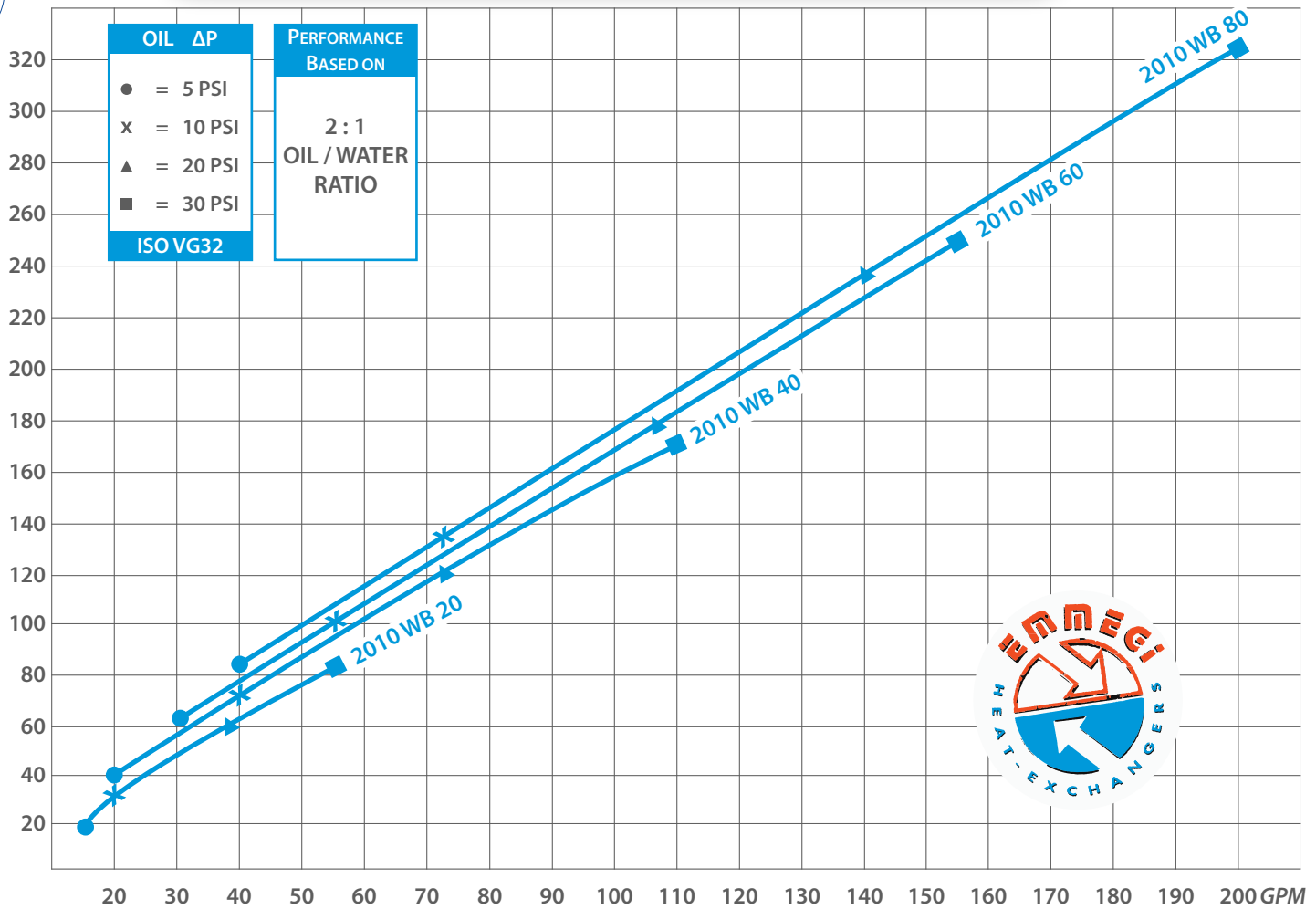
205WB — 30 —  

Model Size      20      30      40      50      Blank      Includes Mounting Bracket  
 205 WB = 20" x 5"      NB      No Mounting Bracket

# 2010 WB Series - Dimensions & Performance

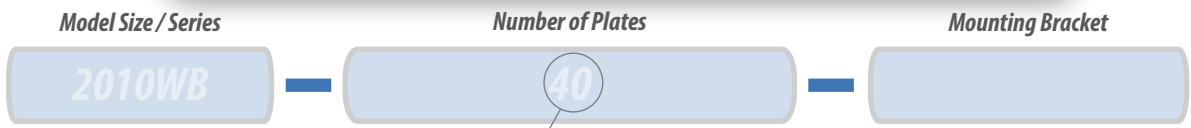
HEAT-EXCHANGERS

Horsepower Heat Rejection @ 50°F ETD



MODEL	A (inch)	OIL CONNECTIONS		NET WEIGHT LBS.
		B OIL	C WATER	
2010 WB 20	2.09	# 20 SAE	2" NPT	38.2
2010 WB 40	4.02	# 24 SAE		56.2
2010 WB 60	5.94	# 32 SAE		74.0
2010 WB 80	9.80			91.9

## Ordering Code

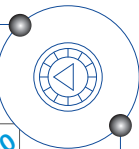


2010 WB = 20" x 10"

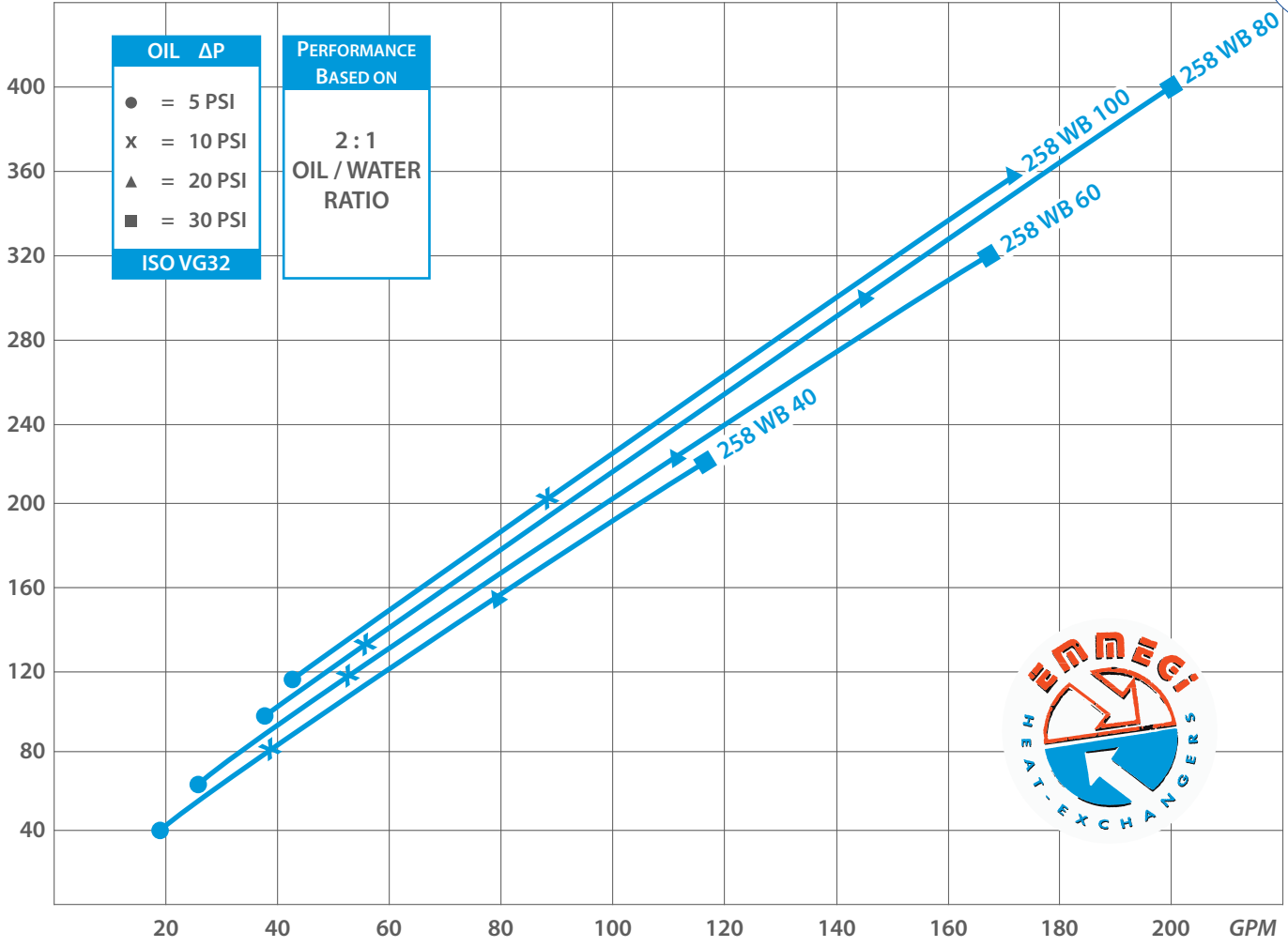
20 40 60 80

Blank Includes Mounting Bracket  
NB No Mounting Bracket

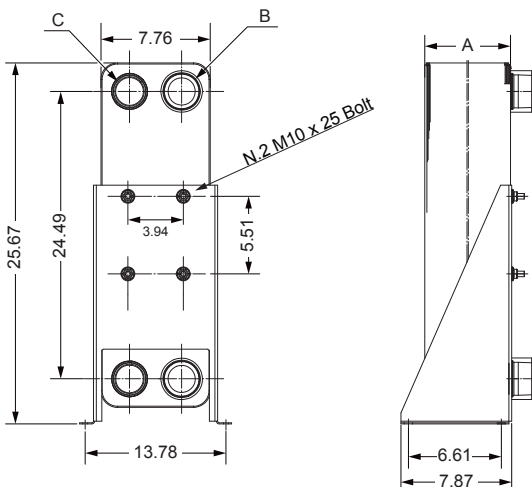
# 258 WB Series - Dimensions & Performance



Horsepower Heat Rejection @ 50°F ETD



HEAT-EXCHANGERS



MODEL	A (inch)	OIL CONNECTIONS		NET WEIGHT LBS.
		B OIL	C WATER	
258 WB 40	4.17	# 24 SAE	1 1/4" NPT	49.1
258 WB 60	6.10	# 32 SAE	2" NPT	75.2
258 WB 80	8.03			109.1
258 WB 100	9.96			126.6

## Ordering Code

**Model Size / Series**      **Number of Plates**      **Mounting Bracket**

258WB — 60 — Blank

Model Size      40      60      80      100      Includes Mounting Bracket

258WB = 25" x 8"      NB      No Mounting Bracket

# Sales Network



## USA

EMMEGI HEAT EXCHANGERS Inc.

(Main Office and Manufacturing)  
3606 E. Southern Ave. Suite 2  
Phoenix, AZ 85040 USA  
Ph. + 1 602 438 7101  
Fax + 1 602 438 7127  
sales@emmegiinc.com  
<http://www.emmegiinc.com>



## SLOVAKIA

EMMEGI HEAT EXCHANGERS s.r.o.

Ul. M.Razusa 1  
95514 Topolcany  
Ph. + 421 387629212 - Fax + 421  
387629222  
<http://www.emmegi-heat-exchangers.com>  
sro@emmegi-heat-exchangers.com



## SWEDEN / FINLAND

EMMEGI HEAT EXCHANGERS  
NORDIC AB.

Box 1136  
262 22 ANGELHOLM  
Visitors: Nybrovagen 4  
Ph. + 46 (0) 431- 415096  
Fax + 46 (0) 431- 415099  
info.nordic@emmegi-heat-exchangers.com  
<http://www.emmegi-heat-exchangers.com>



## ASIA / PACIFIC

EMMEGI HEAT EXCHANGERS Ltd

Unit 17.9/ F.Corporation Park,  
11 On Lai Street, Siu Lek Yuen,  
Shatin, Hong Kong  
Ph. + 852-26473488- Fax + 852-26032119  
<http://www.emmegi-heat-exchangers.com>  
emmegi@biznetvigator.com



## GERMANY

EMMEGI GmbH

Philipp-Reis-Straße 2  
41516 Grevenbroich-Kapellen  
02182-570 18-0  
02182-570 18-29  
<http://www.emmegi-gmbh.de>  
vertrieb@emmegi-gmbh.de

## INDIA

EMMEGI INDIA Sales Office

B-37, DDA Shed  
Okhla Industrial Area, Phase II  
110020 NEW DELHI  
+91 9810072019  
+91 1141756320  
<http://www.emmegi-heat-exchangers.com>  
varun@emmegi-heat-exchangers.com

## CHINA

EMMEGI HEAT EXCHANGERS

(Beijing) Co.,Ltd.  
Unit 706,7/ F. Building A, China  
Foreign Language Mansion,  
89 West, 3 rd Ring (N) Road,  
Haidian District,Beijing,  
PR.China,Post code: 100089  
Ph. + 86 10 88820971- Fax + 86 10 88820972  
<http://www.emmegi-heat-exchangers.com>  
emmegi@vip.sina.com

## UK

EMMEGI UK

(Sales Office)  
Evergreen, The Reddings  
Cheltenham GL51 6RL  
Ph. + 44 1242700151  
Fax + 44 8707577659  
sales@emmegi.co.uk  
<http://www.emmegi.co.uk>

# Headquarters



## ITALIA

EMMEGI S.p.A.  
Via Newton,52 - Zona Industriale  
20062 Cassano d'Adda (MI) - Italy  
Tel. +39 0363 360236 - Fax + 39 0363 360230  
<http://www.emmegi-heat-exchangers.com>  
info@emmegi-heat-exchangers.com

